

503785

DATA DISPLAY PRODUCTS (DDP) PROPRIETARY INFORMATION. DO NOT REPRODUCE, COPY, OR USE WITHOUT EXPRESS WRITTEN PERMISSION. COPYRIGHT DATA DISPLAY PRODUCTS.

REV.	DATE	BY	DESCRIPTION
A	041103	LC	INITIAL RELEASE
-	-	-	-
-	-	-	-
-	-	-	-

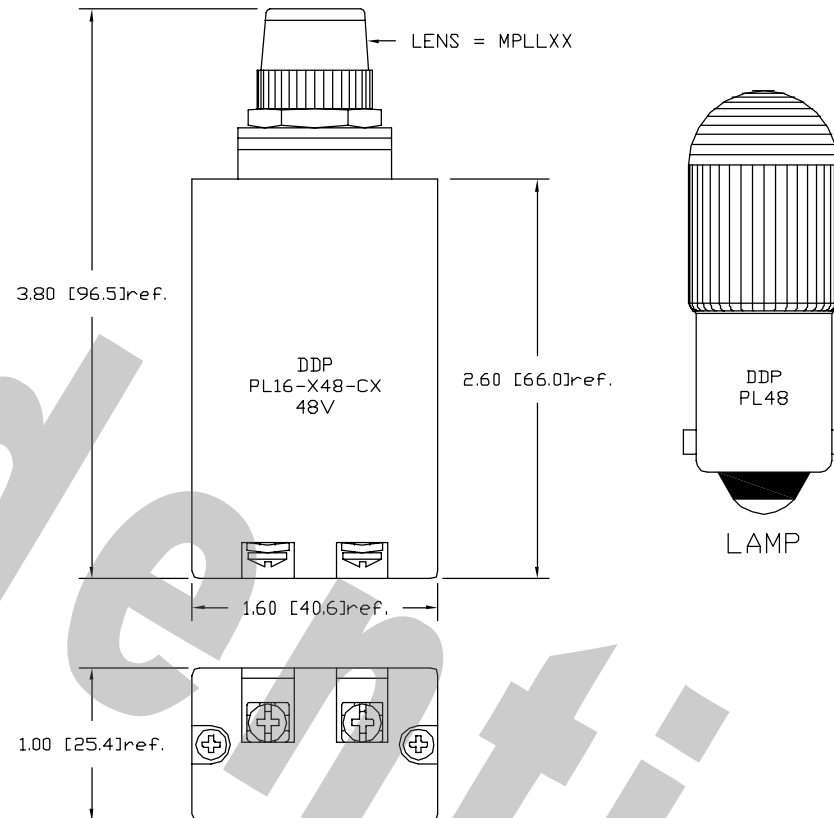
## ELECTRO-OPTICAL CHARACTERISTICS

@  $T_a = 25^\circ\text{C}$

SYM	PARAMETER	X = LED COLOR					UNIT
		RED	AMBER	GREEN	BLUE	WHITE	
$I_v$	TYP. LUMINOUS INTENSITY MEASURED W/O LENS @ $I_f=20\text{mA}$	2800	2800	1200	325	1100	mcd
$V_o$	OPERATING VOLTAGE	48	48	48	48	48	V
$I_f$	TYP. FORWARD CURRENT @ $V_f=48\text{V}$	15.0~16.0		14.5~15.5			mA
$I_{mx}$	MAX. FORWARD CURRENT @ $V_f=52\text{V}$	17.5	17.5	17.0	17.0	17.0	mA
$V_{br}$	REVERSE BREAKDOWN @ $I_r=100\mu\text{A}$	-	-	-	-	-	V
$\lambda_{pk}$	PEAK WAVELENGTH	634	592	520	465	-	nm
$\lambda_D$	DOMINANT WAVELENGTH	629	590	525	470	-	nm


## ABSOLUTE MAX. RATINGS $T_a=25^\circ\text{C}$

PARAMETER	VALUE		UNIT
	R & A	G, B & W	
POWER DISSIPATION	910	884	mW
DERATE/°C > $T_a$	13.7	13.3	mW
OPERATING VOLTAGE	52	52	V
OPERATING TEMPERATURE	-40<+100	-30<+85	°C
STORAGE TEMPERATURE	-40<+100	-40<+100	°C



### REMARKS:

- Dimensions are in inches(mm).
- The lens is clear-tinted with a fresnel pattern.
- Luminous intensity is measured without the lens.
- Caution: GaInN LEDs are class 1 ESD sensitive (MIL-STD-1686). Exceeding absolute maximum ratings may cause damage to, or possibly result in catastrophic failure of these devices. Use appropriate ESD precautions during handling and operation.
- For white LED chromaticity coordinate range, see drawing #502590.
- Mounting hole is  $\phi.630'$  (16.00mm).

 <b>Data Display Products</b>			
445 S. DOUGLAS ST., EL SEGUNDO, CA. 90245 (310)640-0442 FAX: (310)640-7639			
DATE:	DRAWN BY:	CHECKED BY:	APPROVED BY:
041103	LC		
LAST REV. DATE:	REV. LEVEL:	MATERIAL:	
-	A		
THICKNESS:			
TITLE:			
PL16-X48-CX			
SCALE:	TOL:	ANGLE:	DRAWING NUMBER:
-	.XX(X) ± .025(.63)	.XXX(.XX) .010(.25)	- 503785