

DATA DISPLAY PRODUCTS (DDP) PROPRIETARY INFORMATION. DO NOT REPRODUCE, COPY, OR USE WITHOUT EXPRESS WRITTEN PERMISSION. COPYRIGHT DATA DISPLAY PRODUCTS.

REV.	DATE	BY	DESCRIPTION	503511
A	030403	LC	INITIAL RELEASE	

ELECTRO-OPTICAL CHARACTERISTICS @ T_a = 25°C

SYM	PARAMETER	X = LED COLOR					UNIT
		RED	AMBER	GREEN	BLUE	WHITE	
I _v	TYP. LUMINOUS INTENSITY PER LED @ I _f =20mA	2800	2800	1200	325	1100	mcd
V _o	OPERATING VOLTAGE	30	30	30	30	30	V
I _f	TYP. FORWARD CURRENT @ V _f =30V	20.0~24.0		13.0~14.8			mA
I _{mx}	MAX. FORWARD CURRENT @ V _f =33V	27.5	27.5	17.0	17.0	17.0	mA
V _{br}	REVERSE BREAKDOWN @ I _r =100uA	-	-	-	-	-	V
λ _{pk}	PEAK WAVELENGTH	634	592	520	465	-	nm
λ _D	DOMINANT WAVELENGTH	629	590	525	470	-	nm

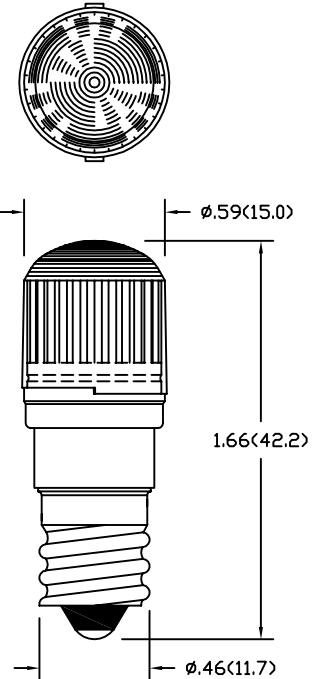
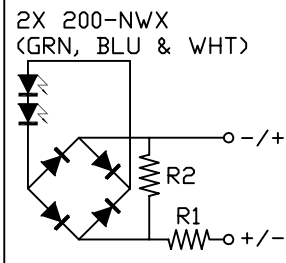
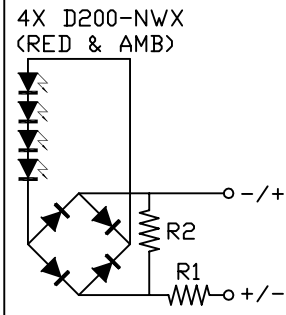
ABSOLUTE MAX. RATINGS T_a=25°C

PARAMETER	VALUE		UNIT
	R & A	G, B, W	
POWER DISSIPATION	908	561	mW
DERATE/°C >T _a	13.6	8.4	mW
OPERATING VOLTAGE	33	33	V
OPERATING TEMPERATURE	-40<+100	-30<+85	°C
STORAGE TEMPERATURE	-40<+100	-40<+100	°C

REMARKS:

- Dimensions are in inches(mm).
- Lens is water-clear with a fresnel pattern.
- This device is immune to peak noise current of 2mA.
- Caution: GaInN LEDs are class 1 ESD sensitive (MIL-STD-1686). Exceeding absolute maximum ratings may cause damage to, or possibly result in catastrophic failure of these devices. Use appropriate ESD precautions during handling and operation.
- For white LED chromaticity coordinate range, see drawing #502590.

CIRCUIT DIAGRAM



Data Display Products			
445 S. DOUGLAS ST., EL SEGUNDO, CA. 90245 (310)640-0442 FAX: (310)640-7639			
DATE:	DWN BY:	CHK'D BY:	APPRV'D BY:
030403	LC		
LAST REV. DATE:	REV LEVEL	MATERIAL:	
-	A	-	
TITLE			
6S6LS30-CWX			
SCALE:	TOL:	ANG.	DWG NUMBER:
NONE	± .025(.63) .010(.25)	-	503511